

8 7 6 5 4 3 2 1

D

D

C

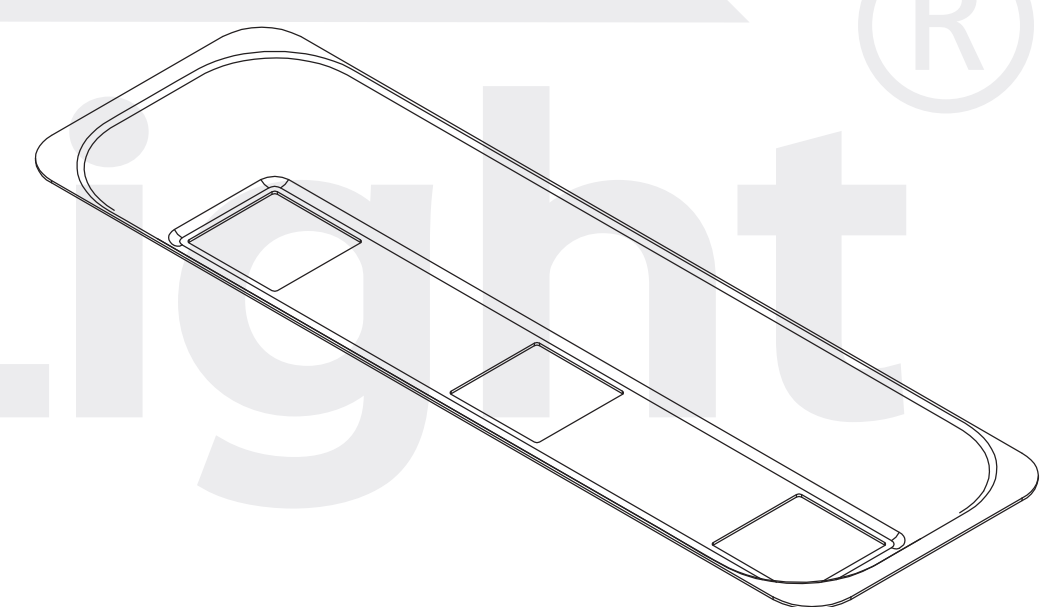
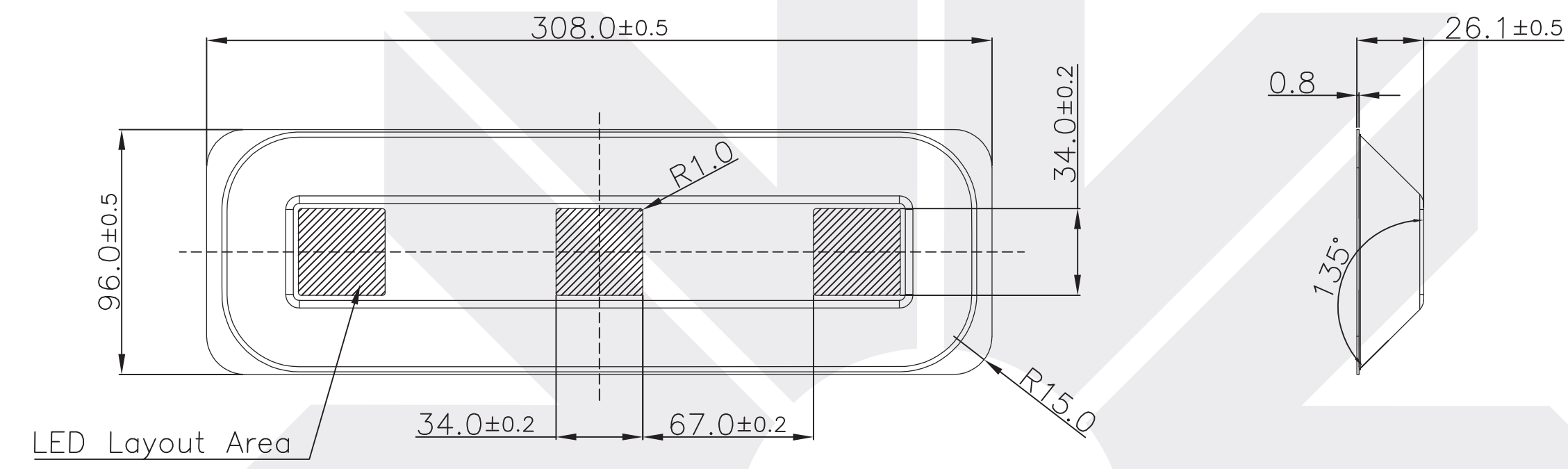
C

B

B

A

A



GlacialLight

Lighting You Always

8 7 6 5 4 3 2 1